

H360HD₂-EC4 SERIES



**STRONG PARTNERS.
TOUGH TRUCKS.™**

EMPTY CONTAINER HANDLER

DEPENDABILITY

DEPENDABLE EMPTY CONTAINER HANDLING

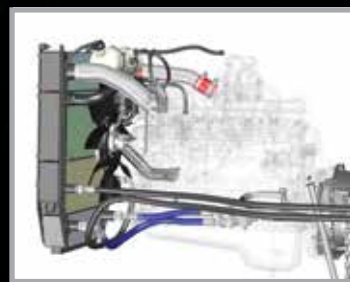
The Hyster® H360HD₂-EC4 trucks provide dependable empty container handling in the entry-level range of the Hyster® line of container handling trucks. Over 50 years of Hyster's heritage in container handling and spreader design is brought to bear in this series to provide outstanding performance in empty container handling applications requiring up to 4 high container stacking. The series come standard with a Tier 4 Final powertrain featuring a Cummins 6.7L QSB engine and a 3 speed ZF WG 161 transmission. These trucks realize as much as 20% lower fuel consumption* over Tier 3 trucks produced over 6 years ago.

The H360HD₂-EC4 provides 15,500 lbs. of lifting capacity on a 130" wheelbase.

** Results will vary based on application, physical environment, fuel quality, etc.*

■ HIGH CAPACITY COOLING SYSTEM

- Designed for high temperature ambient conditions up to 113°F (450°C).
- Hydraulically activated cooling system operates the cooling fan to draw power only when required, thus reducing fuel consumption and noise levels as the truck operates.
- Enhances component life by reducing wear and thermal degradation caused by excessive heat.
- Puller fan draws clean cool air, enabling the cooling system to operate more efficiently.



Puller fan drawing cool and clean air

■ TRAVEL SPEED LIMITER (LADEN)

An innovative feature available standard on all H360HD₂-EC4 trucks. When a container load is detected on the spreader, the truck speed is limited to the standard factory preset speed of 10 mph. When unloaded, the standard factory preset speed is 16 mph.



Quad-core configuration for efficient cooling

■ ENGINEERED FOR DEPENDABILITY IN HIGH CAPACITY APPLICATIONS

TIER 4 FINAL

- The Tier 4 Final Cummins QSB 6.7L engine delivers 164 horsepower (122 kW) rated featuring cooled exhaust gas recirculation (EGR), selective catalytic reduction (SCR), water-cooled variable geometry turbocharger and an integrated diesel exhaust fluid (DEF) delivery system
- The engine protects itself from extreme temperatures and pressures including:
 - high coolant temperatures
 - high air intake temperatures
 - high transmission oil temperatures
- A torque derate strategy is implemented for engine and drivetrain protection
- Proven and capable ZF 3-speed WG 161 powershift transmission with proven field experience and high reliability
- Automatic throttle-up
- On-demand cooling system
- CANbus controls enables easy monitoring of the engine, transmission, load-moment protection systems, and instrumentation to facilitate troubleshooting
- A 42.5 gallon fuel tank is standard on the H360HD₂-EC4 truck. Tier 4 final trucks also get a 5 gallon DEF tank standard.
- A 24V electrical system with a 120 amp alternator, which includes a master battery disconnect switch

TIER 3

- Tier 3 Cummins QSB 6.7L engine delivers 155 rated horsepower*
- ZF 3-speed WG 161 powershift transmission
- Automatic Throttle-Up
- Wastegate Turbo
- 24V electrical system with a 120 amp alternator, including a master battery disconnect switch
- CANbus diagnostic connection available to monitor engine, transmission, instrumentation, and load-moment protection systems to facilitate troubleshooting

■ DRIVE AXLE

- The wide drive axle provides excellent stability under both laden and unladen conditions. Its full floating drive axle design allows the axle housing to carry the truck weight, not the splined induction hardened shafts, giving you increased durability.
- Oil-cooled, wet disc brakes offer superb brake control and inching capabilities.



Heavy AxleTech PRC 785 Drive Axle

* Optional EPA Tier 3 Cummins QSB 6.7L diesel engine (limited availability in US and Canada)

SERVICEABILITY

EASE OF SERVICE

Hyster® container handlers have been designed with the service technician in mind. Gull wing hoods provide quick access to key components, and daily checks don't require tilting the cab. The engine and drivetrain are inclined at a two degree angle and slightly raised, providing improved access to key components in seconds. Galvanized, broad slip-resistant running boards foster quick daily checks, while a large access bay enables radiator cleaning. A hydraulic sight gauge makes at-a-glance fluid level checks easier.

■ LONGER SERVICE INTERVALS

Major engine and drivetrain components are engineered to operate on 500-hour service intervals. Hydraulic oil changes occur every 3,000 hours, and up to 6,000 hours with hydraulic fluid sampling, help to ensure that the truck remains in operation with longer mean times between oil changes or servicing, thus decreasing downtime and boosting machine productivity.



Quick access for engine oil check



Convenient engine air intake filter checks



Tilted cab and gull-wings provide easy access for quick service checks

■ ON-BOARD DIAGNOSTICS

CANbus on-board diagnostics in an automotive style layout with fuses centrally located on the side console provides easy servicing and troubleshooting. Error codes are provided on an LCD display for quick and effective identification of service items while enabling rapid implementation of remedies, reducing downtime and lowering the mean time for repairs.



■ SUPPORTING CUSTOMERS WITH WORLD-CLASS PARTS & SERVICE

Four Parts Distribution Centers strategically located around the world provide a full range of original equipment and aftermarket parts that help maintain our customers' uptime. G.A.P., our Guaranteed Availability Program, guarantees that if a covered part is not available the next business day it will be provided to you FREE of charge.*

We also take that commitment into the field with the Hyster CERTECH® Certification training program. This technical training program provides both systems level as well as product-specific education to ensure lift trucks are repaired right the first time.



*Contact your local dealer for program details.

LOW COST OF OWNERSHIP

LOW FUEL CONSUMPTION

Fuel consumption is a key driver for the total ownership costs for container handling operations. Hyster provides an empty container handling truck with noticeable fuel consumption characteristics compared to similarly sized trucks produced in the past. The well-integrated engine produces greater power and torque using a high-pressure common rail fuel injection system with variable geometry turbochargers. Advanced controls enable the Cummins QSB 6.&L engine to provide peak performance and operating efficiency while delivering great fuel economy and reliability.

All Tier 4 Final H360HD₂-EC4 trucks require the use of Diesel Exhaust Fluid (DEF) and feature engines with variable geometry turbocharging (VGT). A Selective Catalytic Reduction (SCR) package for NO_x reduction as well as a diesel oxidation catalyst (DOC) for particulate matter (PM) removal are also packaged onto each truck. DEF tanks have been sized to require fill-ups along with every other fill of the fuel tank.

Technological enhancements in the Tier 3 QSB 6.7L optional engine provide peak performance and outstanding torque in a durable package while delivering improved fuel economy over baseline Tier 3 engines produced 6 years ago.

■ DURABLE COMPONENTS

The powertrain and drivetrain components have been designed to enable longer service intervals, up to 500 hours, thus resulting in a reduction in the overall total cost of operations for the truck. A rugged and heavy duty spreader design enable efficient handling of empty containers with up to 4-high stacking capability.

Advancements in hydraulic fluids and lubricating oils used result in the less frequent replacement and longer mean times between replacement.

■ TECHNOLOGY THAT TRANSFORMS



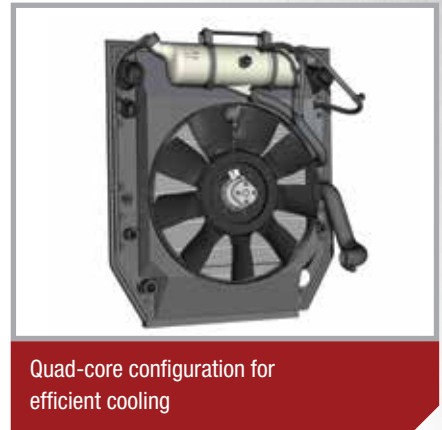
EPA Tier 4 Final Cummins QSB 6.7L diesel engine lowers emissions and reduces fuel consumption by up to 20% from Tier 3 baseline.

Hyster understands that your total cost of ownership extends beyond just the initial acquisition costs. Hyster has collaborated with leading suppliers to provide well-integrated powertrains that reduce the overall cost of operations by offering significant savings in fuel consumption and reduced maintenance costs for your truck over its operating life. Think ahead. Think Hyster.

Optional EPA Tier 3 Cummins QSB 6.7L diesel engine (limited availability in US and Canada)

■ ON-DEMAND COOLING (TIER 4 ONLY)

On-demand cooling is provided by a hydraulically controlled cooling fan which reduces both power consumption and noise during cooling. The cooling system is designed for high ambient temperature conditions and provides on-demand cooling. Depending on the cooling needs, the fan operates at variable speeds to ensure that the maximum engine power is available during driving and handling operations, thus maximizing productivity. A heavy duty cooling system is standard for all Tier 4 trucks and provide all the necessary cooling of the engine and hydraulic system for working in ambient temperatures up to 120°F.



■ ON-DEMAND HYDRAULICS

The on-demand, load sensing hydraulic system is developed in collaboration with Sauer Danfoss to deliver flow only when required. A variable displacement pump, capable of more oil displacement even at low pump speeds, means that the engine runs at lower speeds, thus extending the life of components while operating more quietly.

The system consumes up to 10% less fuel than a typical fixed displacement hydraulic system while producing less heat.

Oil and filters can last longer, as well as hoses, seals and other critical components.



■ POWERTRAIN PROTECTION SYSTEM

A robust engine protection system is available as standard equipment on every truck is designed to protect the engine from Low oil pressures and High coolant temperatures. A transmission protection system is also available standard on the truck and is designed to protect the transmission from excessive oil temperatures. These systems work together in tandem to minimize damage to the truck by decreasing engine power when a problem is detected and then further derate the engine to creep mode if immediate corrective action is not taken.

■ EMPTY SEAT ENGINE SHUTDOWN (OPTIONAL)

To further mitigate total operating costs, the Hyster® H360HD₂-EC4 truck is equipped with an Empty Seat Engine Shutdown feature. This feature ensures that the engine is shutdown should the operator leave the seat, thus saving fuel. A time delay, adjustable within 3-15 minutes, provides flexibility in programming this function to best suit the customer's specific site operating conditions. Primary electric power remains on during this time.

This feature prevents extensive idling and wear on engine and drivetrain components while reducing fuel consumed. The result is extended service intervals for the trucks, reduced fuel consumption, and a reduced total cost of ownership for the operation.



ERGONOMICS



DESIGNED FOR OPERATOR COMFORT

As in all Hyster® container handlers, operator controls are conveniently placed within a spacious cab for maximum comfort to increase operator productivity.

■ VISIBILITY

A well engineered spreader, with strategically positioned cross-members, enable a clear view of twistlocks. A curved, shatter-resistant, tempered glass windshield provides an expansive front end view. Likewise, a curved rear windshield provides rearward visibility over the operator's left and right shoulders. On the exterior, sloping counterweights enhance visibility of steer tires for improved maneuverability and reduced tire gouging.

■ CAB COMFORT

The optional enclosed ComforCab™ II is mounted on elastomeric rubber mounts, isolating and minimizing the effects of road-borne shocks and vibrations. Its uncluttered, spacious floor is covered with a high-density rubber mat, which helps to decrease exterior sound.

A tilting, telescoping steering column and an adjustable full-suspension seat keep the operator comfortable. The right-side armrest adjusts to position the truck's control within easy reach. The joystick and switches are integrated into the seat to maintain the driver's control of the truck even when driving over bumpy surfaces. Low effort, load-sensing power steering is standard equipment.



Fully adjustable steering column



Broad, slip-resistant running boards

■ LOW NOISE - OPERATOR & ENVIRONMENT

Hyster® trucks are especially engineered for operator comfort with minimal noise at the operator's ear (72.8 dB(A) BITA), cabin interior noise ranks among the lowest in the industry which enhances operator alertness and productivity. Lower engine speeds due to on-demand hydraulics, in tandem with the curved, tempered glass surrounding the cabin, results in quieter operation.

■ PROPORTIONAL HYDRAULIC CONTROL

Proportional truck function settings can be adjusted to suit operator preferences. The automatic throttle-up function is enabled with a single touch actuation.

PRODUCTIVITY

WHEN PRODUCTIVITY MATTERS, HYSTER MORE THAN MEASURES UP

The Hyster collaboration with engine manufacturer, Cummins and transmission manufacturer ZF and its innovative combination of mast & spreader, engine, drivetrain and hydraulic technologies in the H360HD₂-EC4 empty container handler results in a significant improvement in cycle speeds enabling the movement of more containers per hour with up to 4 high stacking capability.

■ POWER AND PERFORMANCE

Lifting, Lowering & Travel Speeds

Hyster® H360HD₂-EC4 empty container handlers deliver high productivity with 4-mode average speeds of 109 ft/min (0.55 m/s), * very competitive in the industry at rated laden container handling capacities.

Travel Speeds:

16 mph (25 km/h) with or without load

Lifting Speeds:

114 ft/min (0.58 m/s) - Unladen
126 ft/min (0.64 m/s) - Laden

Lowering Speeds:

98 ft/min (0.50 m/s) - Unladen
98 ft/min (0.50 m/s) - Laden

■ HIBERNATE IDLE (TIER 4 FINAL ONLY)

Hibernate idle mode lowers the engine idle revolutions per min, from 900 to 700 RPM, after 30 seconds of idling if no driver input is received, thereby saving fuel.

ECO-MODES: The ECO-modes control maximum engine speed and throttle response to provide the required balance of performance and fuel savings:

- Hi-P provides maximum performance and good fuel economy
- e-Lo provides minimum fuel consumption without a degradation in productivity

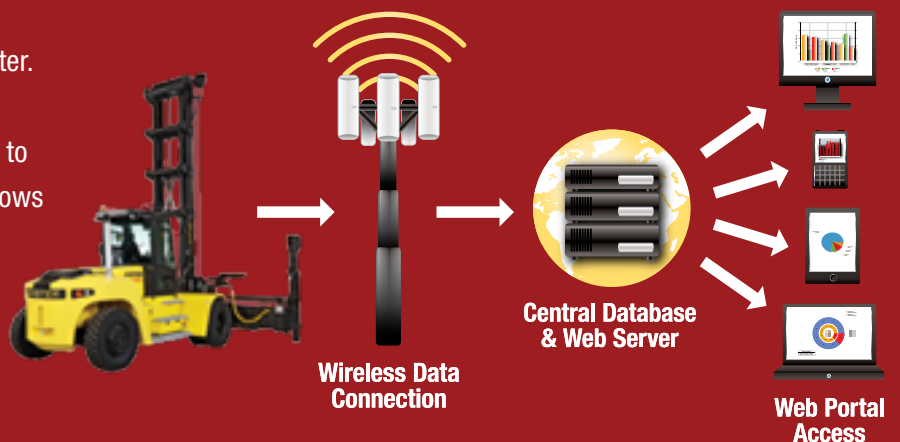
** Average speed calculated using laden lift speed (ft/min) at full rated capacity; unladen lift speed; laden lowering speed at full rated capacity; and unladen lowering speed.*

HYSTER TRACKER - WIRELESS ASSET MANAGEMENT

Take your fleet operation to the next level with wireless asset management from Hyster. Hyster Tracker provides a scalable solution for fleets. From monitoring truck utilization to limiting operator access, Hyster Tracker allows you to track your fleet at your fingertips.



TRACKER



■ SPREADER PERFORMANCE

- Hyster® model 588TB spreader with two vertical ISO twistlocks and removable spacer blocks is standard on all models for unladen handling of ISO 8' wide containers.
- Mechanical Pile Slope (MPS) function on the EC spreader with floating function vertical end-posts and manually adjustable heads.
- Sideshift movement is ample with +/- 11.8 inches (300 mm) for a total of 23.6 inches (600 mm) of side shifting capability for handling flexibility while enabling both empty container and reefer correction possibility.
- Long lasting LED lights on the spreader are also available on all H360HD₂-EC4 trucks.
- LED twistlock indicator lights (1X red, 2X orange, 1x green, 1x blue) signal spreader engagement in the cab.
 - Orange Left Hand - Container landed
 - Green - Locked
 - Red - Unlocked
 - Orange Right Hand - Container landed
 - Blue - Mast Lift Interrupt active
- LED twistlock indicator lights on the spreader are standard.



HIGH CAPACITY SPREADER

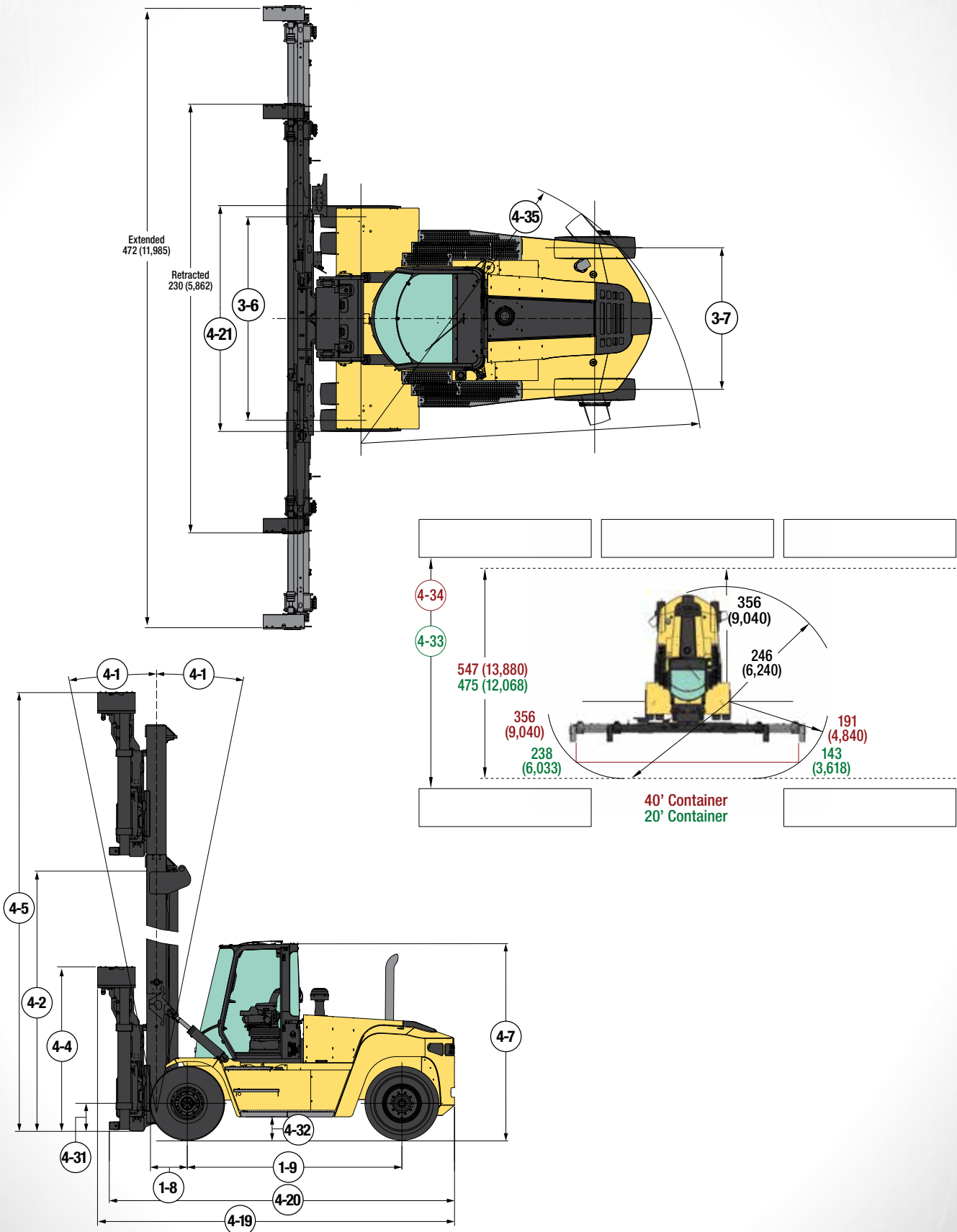
Productivity with good stacking efficiency is an area of focus on Hyster® empty container handlers. Consequently, the trucks are equipped with Hyster 500 series spreaders with the following key characteristics:

- Mechanical Pile sloping is standard on all trucks
- Powered pile sloping is available as an option
- Two vertical hardened pendular twistlocks ensure the container is securely fastened prior to hoisting.
- The mast over-lowering interrupt function prevents further lowering of the mast when the spreader is landed on a container. When active, a blue warning light illuminates to eliminate slacking in the lift chains while reducing hocks to the spreader due to impact loading. The system also helps to prevent hoisting a container with partially engaged twistlocks.



Twistlock module with indicator lights

H360HD₂-EC4 DIMENSIONS



Circled dimensions correspond to the line numbers on the tabulated chart inside the Technical Guide. Dimensions are in inches (millimeters).

CERTIFICATION: These Hyster® lift trucks meet design specifications of Part II ANSI B56.1-1969, as required by OSHA Section 1910.178(a)(2) and also comply with Part III ANSI B56.1-revision in effect at time of manufacture. Certification of compliance with the applicable ANSI standards appears on the lift truck. Performance specifications are for a truck equipped as described under Standard Equipment on this Technical Guide. Performance specifications are affected by the condition of the vehicle and how it is equipped, as well as by the nature, condition of the operating area, proper service and maintenance of the vehicle. If these specifications are critical, the proposed application should be discussed with your dealer.

H360HD₂-EC4 SPECIFICATIONS

		Description		Units		English		Metric		
GENERAL	1-1	Manufacturer		HYSTER						
	1-2	Model designation,		H360HD ₂ -EC4						
	1-5	Rated load capacity - extended		lbs	kg	15,500		7,031		
	1-5	Rated load capacity - retracted		lbs	kg	15,500		7,031		
	1-6	Load center - extended		in	mm	48		1,220		
	1-6	Load center - retracted		in	mm	48		1,220		
	1-8	Load distance		in	mm	44		1,118		
	1-9	Wheelbase		in	mm	130		3,302		
	WEIGHTS	2-1	Total truck weight without load		lbs	kg	55,590		25,268	
2-2a		Axle loading with load		front	lbs	kg	62,143		28,247	
2-2b				rear	lbs	kg	9,144		4,156	
2-3a		Axle loading without load		front	lbs	kg	35,129		15,968	
2-3b				rear	lbs	kg	20,461		9,300	
WHEELS	3-1	Tire type		Pneumatic						
	3-2	Tire size		front	12.00 x 20-16PR					
	3-3			rear	12.00 x 20-16PR					
	3-6	Track width		front	in	mm	98		2,489	
	3-7			rear	in	mm	79		2,007	
	4-1	Mast tilt, forward / back		degrees		5°F / 5°B				
	4-2	Height of mast lowered		in	mm	271		6,870		
DIMENSIONS	4-4	Container stacking		4-high x 9'6"						
	4-4	Lift height under Twistlocks - max lift		in	mm	390		9,918		
	4-5	Height extended (top of spreader)		in	mm	466		11,824		
	4-7	Height to top of operator compartment		in	mm	120		3,048		
	4-15	Height under Twistlocks - lowered		in	mm	477		12,116		
	4-19	Overall length		in	mm	216		5,486		
	4-20	Length to load face		in	mm	245		6,215		
	4-21	Overall width over drive tires		in	mm	126		3,200		
	4-23a	Spreader		ISO 20' - 40'						
	4-23b	Pile slope		Mechanical +/-3°						
	4-30	Side shift movement (each direction)		in	mm	24		610		
	4-31	Ground clearance, under mast with load		in	mm	8		203		
	4-32	Ground clearance, center of wheelbase		in	mm	13		330		
	4-33	Min. aisle width for 20' container (incl 10% clearance)		in	mm	381		9,665		
	4-34	Min. aisle width for 40' container (incl 10% clearance)		in	mm	588		14,935		
	4-35	Outside turning radius		in	mm	180		4,572		
	5-10	Service brake		Oil immersed (wet) disc						
5-11	Park brake		Spring apply, dry disc							
8-7	Hydraulic tank capacity		gal	liter	37		140			
8-8	Fuel tank capacity		gal	liter	42		159			
10-4	DEF tank capacity		gal	liter	5.0		19.0			
PERFORMANCE	PERFORMANCE				WITH CUMMINS QSB 6.7L TIER 4 FINAL ENGINE					
	5-1a	Travel speed		with load	mph	km/h	17		27	
	5-1b			without load	mph	km/h	18		29	
	5-2a	Lifting speed		with load	ft/min	m/s	102		0.52	
	5-2b			without load	ft/min	m/s	120		0.61	
	5-3a	Lowering speed		with load	ft/min	m/s	98.4		0.50	
	5-3b			without load	ft/min	m/s	94.5		0.48	
	5-5	Drawbar pull - 1 mph (1.6 km/h)		lbs	kN	24,300		108		
	5-6	Drawbar pull - max		lbs	kN	27,200		121		
	5-7	Gradeability no load/rated load - 1 mph (1.6 km/h)				%		38/40		
	5-8	Gradeability no load/rated load - max				%		43/40		
	PERFORMANCE				WITH CUMMINS QSB 6.7L TIER 3 ENGINE					
	5-1a	Travel speed		with load	mph	km/h	16		25	
	5-1b			without load	mph	km/h	17		27	
	5-2a	Lifting speed		with load	ft/min	m/s	102		0.52	
	5-2b			without load	ft/min	m/s	120		0.61	
	5-3a	Lowering speed		with load	ft/min	m/s	98.4		0.50	
	5-3b			without load	ft/min	m/s	94.5		0.48	
	5-5	Drawbar pull - 1 mph (1.6 km/h)		lbs	kN	22,200		99		
	5-6	Drawbar pull - max		lbs	kN	25,000		111		
	5-7	Gradeability no load/rated load - 1 mph (1.6 km/h)				%		35/40		
	5-8	Gradeability no load/rated load - max				%		39/40		

STANDARD FEATURES AND OPTIONS

STANDARD EQUIPMENT

Complete empty container handler equipped with:

- 4-high x 9'6" stacking 2-stage mast
- Hyster® 588 spreader with 200 mm mechanical pile slope at 20' and 40' position
- Tier 4 Final Cummins QSB 6.7L 164 hp diesel engine featuring cooled EGR with integrated DEF delivery system, two-stage DOC and exhaust temperature diffuser
- Viscous on-demand cooling fan
- ZF 3-speed WG 161 auto-shifting transmission
- AxleTech PRC 785 planetary drive axle with wet disc brakes
- 120 Amp Alternator
- Integrated heavy duty intake pre-cleaner with dual element filter
- Powertrain protection system for engine and transmission - high temperature or low oil pressure
- 42.0 gallon fuel tank
- 37.0 gallon hydraulic tank
- 5 gallon DEF tank
- Low mount exhaust
- Low mount air intake
- CANbus electrical control system for engine, transmission and hydraulics
- 12.00 x 20 - 16PR bias pneumatic drive and steer tires
- Directional control lever with direction change interlock system
- Mast tilt: 5° forward / 5° back
- Enclosed operator compartment with: seatside joystick hydraulic control; multifunction display panel; interior wide angle mirrors; telescoping and tilting steering column; steering wheel with spinner knob; floor mat; isolated mounting for low noise and vibration; 24-12DC converter; front (single blade), top and rear wipers; heater
- Mechanical, full suspension cloth seat with integrated, adjustable armrest and seatbelt
- Operator restraint system
- Operator presence system
- Handrails with left-hand side stairway
- Exterior wide angle mirrors
- Electric air horn (112 dBA)
- 24V electrical system
- Halogen light kit includes:
 - Rear: 2 LED Stop / Tail / Back-up Lights
- Visible Alarm - amber strobe light - key switch activated
- Audible alarm - reverse direction activated
- Non-locking fuel cap
- Lockable battery disconnect switch
- Hydraulic accumulator - lift circuit
- Steer wheel lug protection
- Electronic Twistlock Position Indicator with LED signals and audible tone
- Anti-slack chain system with lift/lower interrupt
- Literature Package with:
 - Operator's Manual
 - Service Manual
 - Parts Manual

OPTIONAL EQUIPMENT

- Various treaded, slick and radial tires
- Air conditioning
- Various inside cabin options including but not limited to:
 - Reading lights, top and rear sun shades
 - Trainer seat, accessory mounting post, radio preparation kit
 - Heated top window, rear locking console (not available with trainer seat)
- Various seat options including:
 - Mechanical full suspension vinyl seat
 - Air ride full suspension cloth or vinyl seat with high backrest
 - Deluxe air ride full suspension cloth seats with/without heated cushions
- 2 and 3-point high visibility seat belts
- High Intensity Discharge (HID) xenon and Light Emitting Diode (LED) light packages
- Traction Speed Limiter - unconditional; adjustable from 6-15 mph (preset to 12 mph)
- Empty Seat Engine Shutdown - adjustable from 3 - 15 minutes (factory preset to 15 minutes)
- Spreaders with vertical twistlocks and hydraulically adjustable heads
- Locking Fuel Cap
- Engine Block Heater - 110V
- Audible Alarm - Self adjusting and reverse direction activated
- Hydraulic Accumulator
- Powered Tilt operator compartment
- Factory installed 37,500 BTU cooling system with a two-speed condenser fan and 10 outlet air vents provide you with capable cooling under extreme weather conditions.
- Enclosed operator compartment with Air conditioning. ComforCab™ II compartment features large tempered glass front rear and top windshields, Heater and Defroster, Single blade front intermittent wipers. H-Pattern wipers are optional
- Front and rear mud flaps

Special attachments, equipment or accessories not listed above may be available through Applications Engineering for specific application requirements. Contact Hyster Company for details.

INNOVATIVE TRUCKS ENGINEERED TO MEET THE MOST DEMANDING APPLICATIONS

For more than 80 years, Hyster has been conquering the world's most demanding applications. In the 1920's Hyster started as a manufacturer of lifting machines used in the rigorous logging industry of the United States' Pacific Northwest. A few years later the first forklift trucks were invented and the Hyster brand quickly gained its reputation for rugged quality. Hyster® lift trucks are designed to lower your cost of operations. Every truck we make — gasoline, LPG, diesel and electric — is purpose-built to excel in its application. Every truck is also backed by an unmatched network of specialists.



Dealer Network — Our Dealer Network can offer the expertise of fleet managers, parts suppliers, capital procurement specialists and trainers. Hyster's carefully chosen dealers fully understand customer applications, assist in selecting the right lift truck and provide fast, reliable support.



Hyster Fleet Services — Even if you operate other brands, we can manage your maintenance and replacement plan. We can offer complete fleet analysis, fleet history summary and a cost-effective proposal for replacement and scheduled maintenance.



Parts — With genuine Hyster® replacement parts and UNISOURCE™ parts for all makes of lift trucks, we are your one-stop source for lift truck parts. In fact, we offer more than 2 million part number crosses for most brands of materials handling and other in-plant mobile equipment.



Rental Products — When leasing or buying isn't a practical option, we have access to more than 14,000 units for short- and long-term rental. We'll help you maintain output in a cost-effective manner.



Hyster Capital — We can arrange solutions for special financing requirements, taking the difficulties out of buying the equipment you need. Whether you purchase or lease a new or used lift truck, Hyster Capital offers superior service and competitive rates.



Special Products Engineering Department (SPED) — Different materials require different handling. That's why we can work with you to customize your lift trucks. From strobe lights to specially made forks, SPED has the tools to help you get the job done right.



Operator Training — Proper education in operating lift trucks minimizes the risk of injuries due to accidents while increasing productivity. Hyster offers OSHA-compliant materials that support the training of qualified operators.




Service — Your local Hyster® dealer offers a flexible, customized and comprehensive maintenance plan based on each lift truck's operation environment. Hyster service programs offer scheduled inspections and maintenance, along with quick, responsive service dispatched to your location.



Hyster Company
P.O. Box 7006
Greenville, North Carolina
27835-7006
Part No. H360HD2-EC4/BTG
9/2016 Litho in U.S.A.

Visit us online at www.hyster.com or call us at **1-800-HYSTER-1**.

Hyster, , STRONG PARTNERS. TOUGH TRUCKS. and MONOTROL are registered trademarks in the United States and certain other jurisdictions. UNISOURCE is a trademark of Hyster Company. Hyster products are subject to change without notice. Cummins, AxleTech, Sy-Klone and ZF are registered trademarks of their respective companies.

All trucks shown with optional equipment. © 2016 Hyster Company. All rights reserved.