



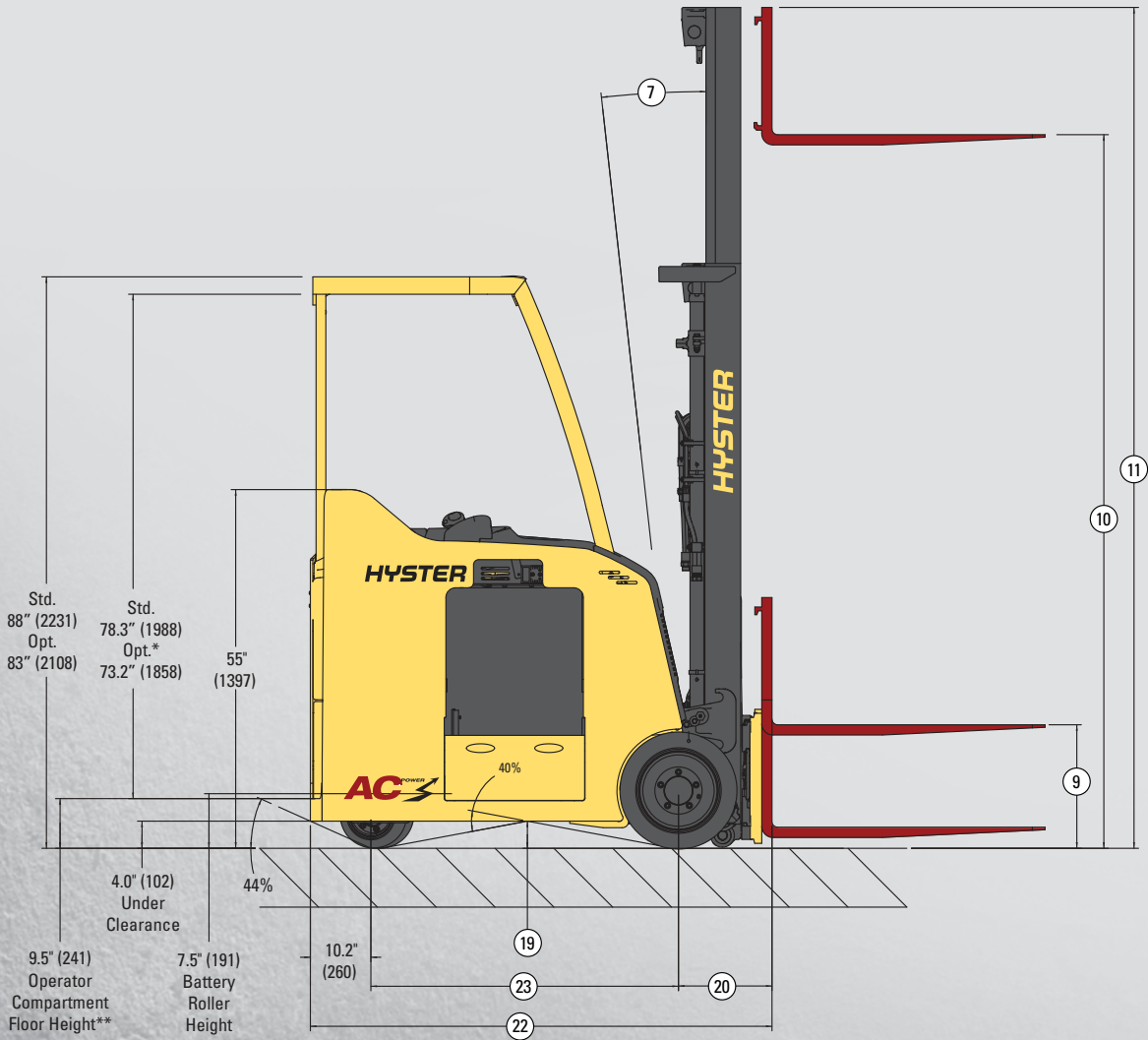
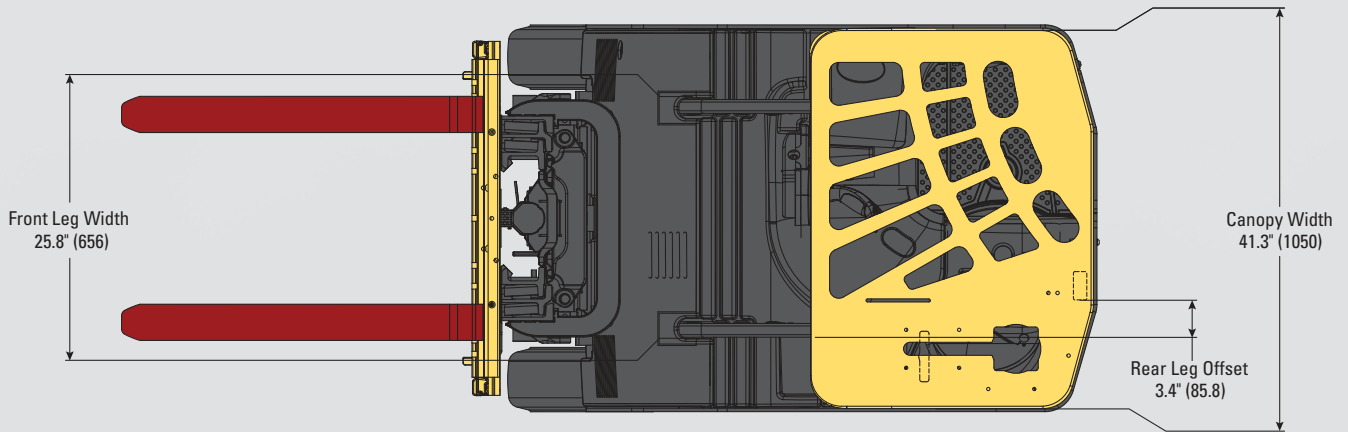
**STRONG PARTNERS.
TOUGH TRUCKS.™**



E30-40HSD₃ SERIES TECHNICAL GUIDE

WWW.HYSTER.COM

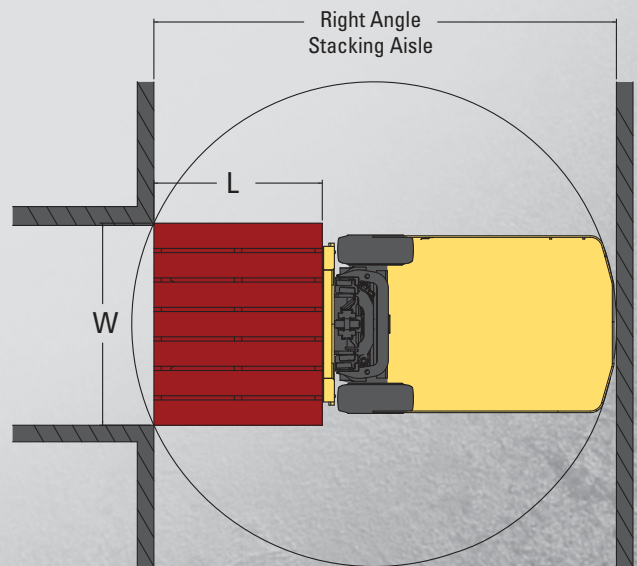
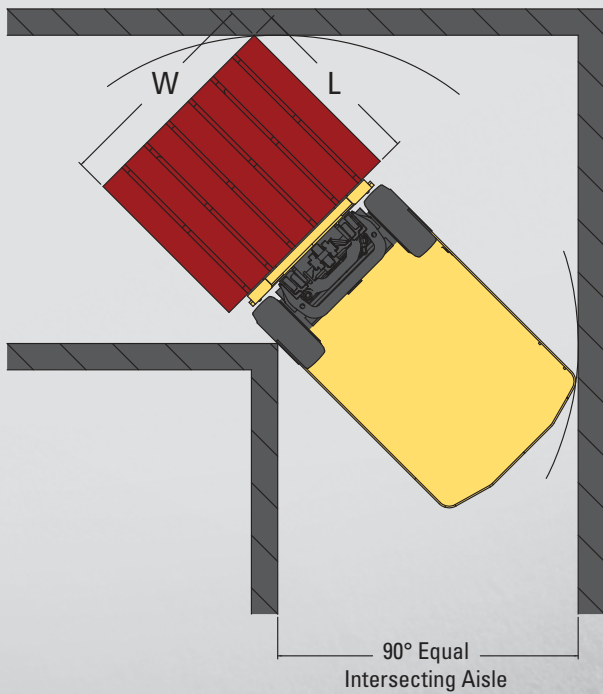
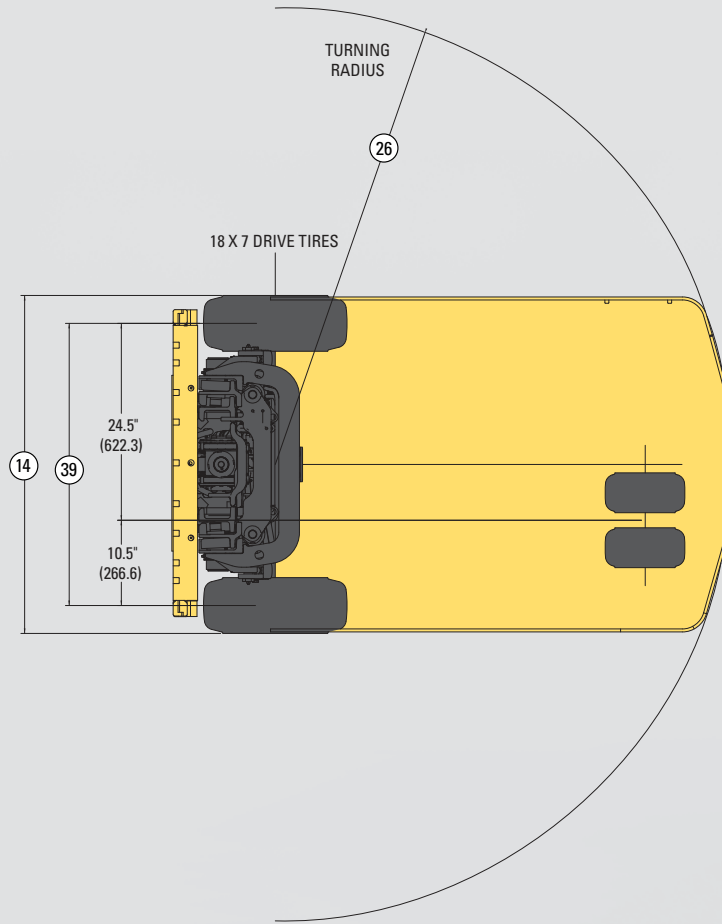
> E30-40HSD₃ DIMENSIONS



Circled dimensions correspond to the line numbers on the tabulated chart inside the Technical Guide. Dimensions are in inches (millimeters).

* Measurement assumes zero compression of floor plate suspension spring, which varies depending on operator weight (typical 1/2" deflection could be assumed for increased operator height clearance.)

E30-40HSD₃ SPECIFICATIONS <



> E30HSD₃ SPECIFICATIONS

GENERAL	1	Manufacturer		Hyster			
	2	Model Designation		E30HSD ₃			
	3	Power / Voltage		Electric / 36 Volts			
	4	Operation Type		Stand			
	5	Rated Capacity	lb (kg)	3000 (1361)			
	6	Load Center	in (mm)	24 (609)			
DIMENSIONS	7	Mast Tilt Std (Opt)	degrees	5F / 5B (10F / 5B)			
	8	Mast – Lowered Height (Std Mast)	in (mm)	84 (2130)			
	9	Free Lift – Top of Fork (Std 2 Stg Limited Free Lift Mast)	in (mm)	5 (140)			
	9a	Free Lift – Top of Fork (Opt 2 Stg Full Free Lift Mast w/wo LBR)	in (mm)	33 / 61 (860 / 1555)			
	10	Lift Height – Top of Fork (Std 2 Stg Limited Free Lift Mast)	in (mm)	131 (3332)			
	11	Mast – Extended Height (Std Mast with / without LBR)	in (mm)	180 / 154 (4555 / 3912)			
	12	Overhead Guard Height (Std / Opt)	in (mm)	88 / 83 (2234 / 2108)			
	13	Grade Clearance	%	40			
	14	Overall Width	in (mm)	42 (1067)			
	15	Forks (Thickness x Width x Length)	in (mm)	1.5 x 4 x 42 (38 x 102 x 1067)			
	16	Standard Carriage Width (Class II)	in (mm)	38.5 (978)			
	17	Floor to Top of Battery Rollers	in (mm)	7.5 (190)			
	19	Ground Clearance (Center of Wheelbase) NL	in (mm)	4 (102)			
	20	Load Distance (Center of Wheel to Face of Forks) † 3-Stage FFL VISTA™PLUS Mast		12.8 (327)			
	20a	Load Distance (Ctr of Wheel to Face of Forks) †† 2-Stage LFL/FFL, 3-Stage FFL VISTA™ Mast		12.6 (321)			
	20b	Load Distance (Center of Wheel to Face of Forks) ††† 4-Stage Mast	in (mm)	N/A	N/A	18.3 (464)	
	21	Battery Compartment	Height	in (mm)	31.1 (790)		
	21a		Length	in (mm)	13.8 (352)	16.0 (408)	18.3 (464)
	21b		Width	Nominal	SIZE		
	21c			Actual	38"		
	22	Length to Face of Forks ^Δ	in (mm)	62.3 (1583)	64.5 (1639)	66.7 (1695)	
	23	Wheelbase	in (mm)	39.4 (1001)	41.6 (1057)	43.8 (1113)	
	24	Aisle Width ^{ΔΔ}	in (mm)	111.3 (2827)	113.4 (2880)	115.5 (2934)	
	25	Equal Aisle, 90° Intersecting Aisle ^{ΔΔ}	in (mm)	68.0 (1728)	68.5 (1740)	69.0 (1752)	
	26	Turning Radius ^Δ	in (mm)	50.7 (1289)	52.8 (1341)	54.9 (1395)	
	PERFORMANCE	27	Travel Speed (NL / RL)	mph (km/h)	7.2 / 7.2 (11.6 / 11.6)	7.2 / 7.2 (11.6 / 11.6)	7.2 / 7.2 (11.6 / 11.6)
28		Lift Speed	Std 2 Stg LFL Mast (NL / RL)	ft/min (m/sec)	87 / 59 (0.44 / 0.30)		
28a			Opt 2 Stg FFL Mast (NL / RL)	ft/min (m/sec)	87 / 59 (0.44 / 0.30)		
28b			Opt 3 Stg FFL VISTA™PLUS Mast (NL / RL)	ft/min (m/sec)	99 / 69 (0.50 / 0.35)		
28c			Opt 3 Stg FFL Mast (NL / RL)	ft/min (m/sec)	83 / 65 (0.42 / 0.33)		
28d		Opt 4 Stg FFL Mast (NL / RL)	ft/min (m/sec)	N/A	N/A	113 / 79 (0.57 / 0.40)	
29		Lower Speed	Std 2 Stg LFL Mast (NL / RL)	ft/min (m/sec)	63 / 100 (0.32 / 0.51)		
29a			Opt 2 Stg FFL Mast (NL / RL)	ft/min (m/sec)	61 / 98 (0.31 / 0.50)		
29b			Opt 3 Stg FFL VISTA™PLUS Mast (NL / RL)	ft/min (m/sec)	71/102 (0.36/0.52)		
29c			Opt 3 Stg FFL Mast (NL / RL)	ft/min (m/sec)	71 / 88 (0.36 / 0.45)		
29d		Opt 4 Stg FFL Mast (NL / RL)	ft/min (m/sec)	N/A	N/A	86 / 100 (0.44 / 0.51)	
30		Gradeability	5 Minute Rating (NL / RL)	%	15.0/15.0		
31		Drawbar Pull	5 Minute Rating (NL / RL)	lbf	2602 / 2356		
32		Brake	Method of Control		Spring Apply / Elec. Released		
32a		Method of Operation		Foot			
WT.	33	Truck Weight	Without Battery (NL)	lb (kg)	6353 (2882)	6373 (2891)	6263 (2841)
	34	Axle Loading – Drive	Static with Max. Wt. Battery (NL / RL)	lb (kg)	3991 / 9149 (1810 / 4150)	4080 / 9107 (1851 / 4131)	4260 / 9765 (1932 / 4429)
	35	Axle Loading – Steer	Static with Max. Wt. Battery (NL / RL)	lb (kg)	4462 / 2304 (2024 / 1045)	4572 / 2545 (2074 / 1154)	4702 / 2198 (2133 / 997)
TIRES/WHEEL	36	Tire Type – Rubber, Polyurethane etc. (Drive / Steer)		Rubber / Polyurethane			
	37	Tire Size (Drive / Steer)	in	18 x 7 - 12.1 / 10 x 5 - 6.5			
	38	Wheels – Number (X=Driven) Drive / Steer		2X / 2			
39	Tread (Tires) Std Dr / Steer / Steer	in (mm)	35 / 10.5 / 24.5 (889 / 267 / 622)				
BATT.	40	Battery	Type	Lead Acid			
	40a		Volts	36			
	40b		Minimum Weight	lb (kg)	1700 (771)	1980 (898)	2300 (1043)
MOTORS	41	Traction Motors (Dual) 60 Minute Rating each	hp (kW)	6.4 (4.8)			
	42	Pump Motor 15 Minute rating	hp (kW)	16.1 (12)			
	43	Traction Motors (Type / Control Method)		AC / Transistor			
	44	Pump Motor (Type / Control Method)		AC / Transistor			
	45	Number of Speeds (Traction & Pump)		Infinitely Variable			
OTHER	46	Step Height	in (mm)	9.5 (241)			
	47	Attachment Relief Pressure	psi (bar)	2000 (138)			
	49	Sound Level (Measured per ANSI B56.11.5)	dB (A)	69			

Specifications, unless otherwise listed, are for a standard truck without optional equipment.

RL = Rated Load, NL = No Load

*Right Angle Stack and Equal Intersecting Aisle dimensions provided with a 48" long and 40" wide pallet load, 2-Stage LFL Mast with Standard Carriage, allowing zero clearance.

†External Mounted Operator Sensing System Egress Option will Increase Length of truck by 1.9 inches (48mm).

RAS = Turn Radius + Load Distance + Load Length + Clearance.

† 3-Stage-FFL VISTA™PLUS Mast add 1.8" for S/S.

†† 2-Stage-LFL/2 Stage-FFL/3-Stage-FFL VISTA™ Mast add 1.7" for S/S.

††† 4-Stage-FFL Mast add 1.4" for S/S.

E35-40HSD₃ SPECIFICATIONS

		Hyster					
		E35HSD ₃	E35HSD ₃	E40HSD ₃			
GENERAL	1	Manufacturer	Hyster				
	2	Model Designation	E35HSD ₃	E35HSD ₃	E40HSD ₃		
	3	Power / Voltage	Electric / 36 Volts				
	4	Operation Type	Stand				
	5	Rated Capacity	lb (kg)	3500 (1588)	3500 (1588) 4000 (1814)		
	6	Load Center	in (mm)	24 (609)			
DIMENSIONS	7	Mast Tilt Std (Opt)	degrees	5F / 5B (10F / 5B)			
	8	Mast – Lowered Height (Std Mast)	in (mm)	84 (2130)			
	9	Free Lift – Top of Fork (Std 2 Stg Limited Free Lift Mast)	in (mm)	5 (140)			
	9a	Free Lift – Top of Fork (Opt 2 Stg Full Free Lift Mast w/wo LBR)	in (mm)	33 / 61 (860 / 1555)			
	10	Lift Height – Top of Fork (Std 2 Stg Limited Free Lift Mast)	in (mm)	131 (3332)			
	11	Mast – Extended Height (Std Mast with / without LBR)	in (mm)	180 / 154 (4555 / 3912)			
	12	Overhead Guard Height (Std / Opt)	in (mm)	88 / 83 (2234 / 2108)			
	13	Grade Clearance	%	40			
	14	Overall Width	in (mm)	42 (1067)			
	15	Forks (Thickness x Width x Length)	in (mm)	1.5 x 4 x 42 (38 x 102 x 1067)			
	16	Standard Carriage Width (Class II)	in (mm)	38.5 (978)			
	17	Floor to Top of Battery Rollers	in (mm)	7.5 (190)			
	19	Ground Clearance (Center of Wheelbase) NL	in (mm)	4 (102)			
	20	Load Distance (Center of Wheel to Face of Forks) [†] 3-Stage FFL VISTA™PLUS Mast		N/A	N/A	N/A	
	20a	Load Distance (Ctr of Wheel to Face of Forks) ^{††} 2-Stage LFL/FFL, 3-Stage FFL VISTA™ Mast		12.6 (321)			
	20b	Load Distance (Center of Wheel to Face of Forks) ^{†††} 4-Stage Mast	in (mm)	18.3 (464)			
	21	Battery Compartment	Height	in (mm)	31.1 (790)		
	21a		Length	in (mm)	18.3 (464)	20.8 (528)	
	21b		Width	Nominal	SIZE		
	21c			Actual	in (mm)	38"	
	22	Length to Face of Forks ^Δ	in (mm)	66.7 (1695)	69.3 (1759)	69.3 (1759)	
	23	Wheelbase	in (mm)	43.8 (1113)	46.3 (1177)		
	24	Aisle Width ^{ΔΔ}	in (mm)	115.5 (2934)	118 (2997)		
	25	Equal Aisle, 90° Intersecting Aisle ^{ΔΔ}	in (mm)	69.0 (1752)	69.6 (1768)		
	26	Turning Radius ^Δ	in (mm)	54.9 (1395)	57.4 (1458)		
	PERFORMANCE	27	Travel Speed (NL / RL)	mph (km/h)	7.2 / 7.2 (11.6 / 11.6)		
28		Lift Speed	Std 2 Stg LFL Mast (NL / RL)	ft/min (m/sec)			
28a			Opt 2 Stg FFL Mast (NL / RL)	87 / 59 (0.44 / 0.30)			
28b		Opt 3 Stg FFL VISTA™PLUS Mast (NL / RL)	ft/min (m/sec)	N/A	N/A	N/A	
28c			Opt 3 Stg FFL Mast (NL / RL)	83 / 62 (0.42 / 0.32)			
28d		Opt 4 Stg FFL Mast (NL / RL)	ft/min (m/sec)	113 / 76 (0.57 / 0.38)	113 / 76 (0.57 / 0.38)	113 / 68 (0.57 / 0.35)	
29		Lower Speed	Std 2 Stg LFL Mast (NL / RL)	ft/min (m/sec)			
29a			Opt 2 Stg FFL Mast (NL / RL)	63 / 100 (0.32 / 0.51)			
29b		Opt 3 Stg FFL VISTA™PLUS Mast (NL / RL)	ft/min (m/sec)	N/A	N/A	N/A	
29c			Opt 3 Stg FFL Mast (NL / RL)	71 / 91 (0.36 / 0.46)			
29d		Opt 4 Stg FFL Mast (NL / RL)	ft/min (m/sec)	86 / 100 (0.44 / .051)			
30		Gradeability	5 Minute Rating (NL / RL)	%			
31		Drawbar Pull	5 Minute Rating (NL / RL)	lbf	2602 / 2356	2562 / 2280	
32		Brake	Method of Control	Spring Apply / Elec. Released			
32a	Method of Operation		Foot				
WT.	33	Truck Weight	Without Battery (NL)	lb (kg)	6745 (3059) 6316 (2865) 6801 (3085)		
	34	Axle Loading – Drive	Static with Max. Wt. Battery (NL / RL)	lb (kg)	4256 / 10678 (1930 / 4843) 4388 / 10653 (1990 / 4832) 4477 / 11637 (2031 / 5278)		
	35	Axle Loading – Steer	Static with Max. Wt. Battery (NL / RL)	lb (kg)	5188 / 2266 (2353 / 1028) 4978 / 2214 (2258 / 1004) 5569 / 2409 (2526 / 1093)		
TIRE/WHEEL	36	Tire Type – Rubber, Polyurethane etc. (Drive / Steer)	Rubber / Polyurethane				
	37	Tire Size (Drive / Steer)	in	18 x 7 - 12.1 / 10 x 5 - 6.5			
	38	Wheels – Number (X=Driven) Drive / Steer	2X / 2				
BATT.	39	Tread (Tires) Std Dr / Steer / Steer	in (mm)	35 / 10.5 / 24.5 (889 / 267 / 622)			
	40	Battery	Type	Lead Acid			
	40a		Volts	36			
	40b		Minimum Weight	lb (kg)	2300 (1043) 2500 (1152) 2695 (1222)		
MOTORS	41	Traction Motors (Dual) 60 Minute Rating each	hp (kW)	6.4 (4.8)			
	42	Pump Motor 15 Minute rating	hp (kW)	16.1 (12)			
	43	Traction Motors (Type / Control Method)	AC / Transistor				
	44	Pump Motor (Type / Control Method)	AC / Transistor				
	45	Number of Speeds (Traction & Pump)	Infinitely Variable				
OTHER	46	Step Height	in (mm)	9.5 (241)			
	47	Attachment Relief Pressure	psi (bar)	2000 (138)			
	49	Sound Level (Measured per ANSI B56.11.5)	dB (A)	69			

Specifications, unless otherwise listed, are for a standard truck without optional equipment.

RL = Rated Load, NL = No Load

*Right Angle Stack and Equal Intersecting Aisle dimensions provided with a 48" long and 40" wide pallet load, 2-Stage LFL Mast with Standard Carriage, allowing zero clearance.

Δ External Mounted Operator Sensing System Egress Option will Increase Length of truck by 1.9 inches (48mm).

RAS = Turn Radius + Load Distance + Load Length + Clearance.

† 3-Stage-FFL VISTA™PLUS Mast add 1.8" for S/S.

†† 2-Stage-LFL/2 Stage-FFL/3-Stage-FFL VISTA™ Mast add 1.7" for S/S.

††† 4-Stage-FFL Mast add 1.4" for S/S.

> E30-40HSD₃ SPECIFICATIONS

E30-40HSD ₃ MAST DIMENSIONS					
Maximum Fork Height (TOF)	Overall Lowered Ht.	Overall Extended Height w/ Load Backrest Ext.	Overall Extended Height w/o Load Backrest	Free Lift (TOF) w/ Load Backrest	Free Lift (TOF) w/o Load Backrest
in (mm)	in (mm)	in (mm)	in (mm)	in (mm)	in (mm)
2-STAGE LIMITED FREE-LIFT (LFL) VISTA™ MAST (3,000 lb - 4,000 lb)					
131 (3332)	84 (2130)	180 (4562)	154 (3906)	5 (140)	5 (140)
139 (3532)	88 (2230)	188 (4762)	162 (4106)	5 (140)	5 (140)
2-STAGE FULL FREE-LIFT (FFL) VISTA™ MAST (3,000 lb - 4,000 lb)					
40 (1018)	48 (1220)	90 (2286)	75 (1905)	0 (0)	12 (305)
130 (3318)	84 (2130)	180 (4568)	154 (3913)	35 (900)	61 (1555)
138 (3518)	88 (2230)	188 (4768)	162 (4113)	39 (1000)	65 (1655)
3-STAGE FULL FREE-LIFT (FFL) VISTA™PLUS MAST (3,000 lb ONLY)					
157 (4000)	74 (1880)	206 (5229)	178 (4521)	25 (635)	53 (1346)
192 (4900)	86 (2180)	242 (6129)	213 (5410)	37 (940)	65 (1651)
198 (5050)	90 (2280)	248 (6279)	219 (5563)	41 (1041)	69 (1753)
210 (5350)	94 (2380)	259 (6579)	231 (5867)	45 (1143)	73 (1854)
216 (5500)	96 (2430)	265 (6726)	237 (6020)	47 (1194)	75 (1905)
3-STAGE FULL FREE-LIFT (FFL) VISTA™ MAST (3,000 lb - 4,000 lb)					
187 (4750)	82 (2080)	236 (5980)	210 (5325)	33 (850)	59 (1505)
192 (4900)	84 (2230)	238 (6030)	212 (5375)	35 (900)	61 (1555)
198 (5050)	88 (2230)	248 (6280)	221 (5625)	39 (1000)	65 (1655)
222 (5650)	98 (2480)	271 (6880)	245 (6225)	49 (1250)	75 (1905)
228 (5800)	100 (2530)	277 (7030)	251 (6375)	51 (1300)	77 (1955)
4-STAGE FULL FREE-LIFT (FFL) MAST					
241 (6121) *	84 (2121)	289 (7340)	264 (6708)	37 (935)	60 (1524)
259 (6578) *	90 (2273)	306 (7772)	282 (7165)	43 (1087)	65 (1651)
283 (7188) †	99 (2502)	331 (8407)	306 (7775)	52 (1316)	74 (1880)

* Available on 3,000 / 3,500 / 4,000 lb trucks with 18.3" or 20.8" battery compartment only

† Available on 3,500 / 4,000 lb trucks with 20.8" battery compartment only

E30-40HSD ₃ BATTERY & COMPARTMENT SPECIFICATIONS												
Truck Model	Compartment Dimensions			Battery Dimensions - Max			Volts	No. of Cells	Plates per Cell	Max Capacity	Weight	
	Width	Length	Height	X	Y	Z				6 Hr Rate	Min	Max
	in (mm)			in (mm)						amp hr (kwh)	lb (kg)	
E30HSD₃ Standard 13.8" Compartment	38.6 (980)	13.8 (351)	31.1 (790)	38.5 (978)	13.4 (340)	31 (787)	36	18	11	775 (27.1)	1700 (771)	2000 (907)
E30HSD₃ Standard 16.0" Compartment	38.6 (980)	16.0 (407)	31.1 (790)	38.5 (978)	15.6 (397)	31 (787)	36	18	13	930 (32.5)	1980 (898)	2300 (1043)
E30HSD₃ Standard 18.3" Compartment	38.6 (980)	18.3 (465)	31.1 (790)	38.5 (978)	17.9 (455)	31 (787)	36	18	15	1085 (37.9)	2300 (1043)	2700 (1225)
E35HSD₃ Standard 18.3" Compartment	38.6 (980)	18.3 (465)	31.1 (790)	38.5 (978)	17.9 (455)	31 (787)	36	18	15	1085 (37.9)	2300 (1043)	2700 (1225)
E35HSD₃ Optional 20.8" Compartment	38.6 (980)	20.8 (528)	31.1 (790)	38.5 (978)	20.4 (518)	31 (787)	36	18	17	1240 (43.3)	2500 (1152)	3050 (1383)
E40HSD₃ Standard 20.8" Compartment	38.6 (980)	20.8 (528)	31.1 (790)	38.5 (978)	20.4 (518)	31 (787)	36	18	17	1240 (43.3)	2695 (1222)	3050 (1383)
E40HSD₃ *Optional 18.3" Compartment	38.6 (980)	18.3 (465)	31.1 (790)	38.5 (978)	17.9 (455)	31 (787)	36	18	15	1085 (37.9)	2300 (1043)	2700 (1225)

Battery compartment length is measured from front to rear.

Battery compartment width is measured across the truck.

Battery Connector: 350 Amp / 36 Volt.

Battery Lead: Length 20" (508 mm) "B" Position.

* 20.8" battery compartment with a 3.0" spacer to accommodate an 18" Battery.

STANDARD EQUIPMENT

- Hyster® i3 Technology™ control system
- Graphic LCD multifunction smart display with back lighting
 - Hour meters; truck, traction and hoist pump time
 - Bar graphic battery discharge indicator low battery lift interrupt
 - Performance mode selection and indication
 - LED status indicators with symbols
 - 4 operator selectable, programmable performance modes
 - User passwords and operator logs with history
 - Steer wheel angle graphic indication
 - Truck inspection check list
 - Truck speed indication in MPH or KPH
- 36 volt
- UL Classification: Type 'E'
- Standard construction – operating temperatures (+32°F to +120°F)
- AC transistor traction and hydraulic control
- Dual AC traction motors (completely brushless)
- AC hydraulic pump motor (completely brushless)
- On-demand rack and pinion power steering
- Directional forward - automotive steering
- Brushless steer motor
- Auto Deceleration System (ADS) with regenerative braking
- Cornering speed control
- Precision load positioning on incline
- 18" drive tire
- Rear entry - side stance
- Fully suspended Hyster® Intelligent Ride Floor System with cushioned floormat
- Hyster® Operator Sensing System
- Low 9.5" step height
- Multifunction control handle
- Padded operator armrest and backrest with lumbar support
- Operator convenience station
- 48" high load backrest extension
- Dual electric park brakes
- Battery compartment
 - Corrosive resistant steel rollers
 - Battery extraction from either side
 - Electrical battery disconnect
- Electric horn (long life / no adjustments)
- Static strap
- Tilt – 5° forward / 5° back
- Operating manual
- 12 month / unlimited hours full truck warranty
- 3 years / 6,000 hour powertrain warranty
- Lifetime frame warranty

OPTIONAL EQUIPMENT

- Battery gate interlock (3 options)
 - Right side extraction only
 - Left side extraction only
 - Both left and right side extraction
- UL Classification: Type 'EE'
- Cooler freezer construction – operating temperatures (0°F to +120°F)
- SubZERO freezer construction – operating temperatures (-40°F to +120°F)
- Keyless start - toggle switch ignition
- Reduced speed tilt
- Return to set tilt
- Tilt interlock
- Truckers style mast option (2-stage FFL)
- 3-stage full free lift (FFL) Vista™Plus mast (3,000 lb only)
- Quad masts
- Integral sideshift carriage
- Integral sideshifting fork positioner carriage (3-stg FFL only)
- Hydraulic attachment extension tubes, with and without quick disconnect fittings
- Operator Sensing System External Egress Mounting
- 83" low profile overhead guard (SPED)
- Mast mounted LED or halogen headlights
- Overhead guard mounted options
 - LED or halogen headlights or rear work light
 - Operator compartment dome light
 - Single speed fan
 - Data terminal mount
 - RF scanner mount
- 10° forward tilt
- Various drive & steer tire types
- Various height load backrest extensions
- Backup alarms
- Visual alarms - strobe lights
- Regulated auxiliary power supply (suitable for electronic equipment) DC to DC converter (25 amps / 300 watts @ 12v)
- Fire extinguisher
- Utility – storage tray
- Hyster Tracker (wireless asset management)
- Overhead guard delete option ¹
- Rear operator compartment door ²


¹ Requires dealer/customer verification confirming that the application meets ANSI/ITSDF B56.1 Section 4.5.1.4. A truck without an overhead guard cannot be used where there is risk of stacked loads falling on the driver. Contact Applications Engineering for additional details. Note: Special chassis mounted headlights, work light and strobe light options are available for trucks that are not fitted with an overhead guard.

² Doors are intended to protect the operator from objects that may enter the operator's compartment, but they may also slow the operator's egress in emergency situations. A review of the forklift's intended environment should be conducted before selecting a door as optional equipment.



Hyster Company
P.O. Box 7006
Greenville, North Carolina
27835-7006
Part No. E30-40HSD/TG
4/2019 Litho in U.S.A.

Visit us online at www.hyster.com or call us at **1-800-HYSTER-1**.

Hyster, , and STRONG PARTNERS. TOUGH TRUCKS. are registered trademarks in the United States and certain other jurisdictions. Hyster products are subject to change without notice.

Trucks may be shown with optional equipment. © 2019 Hyster Company. All rights reserved.